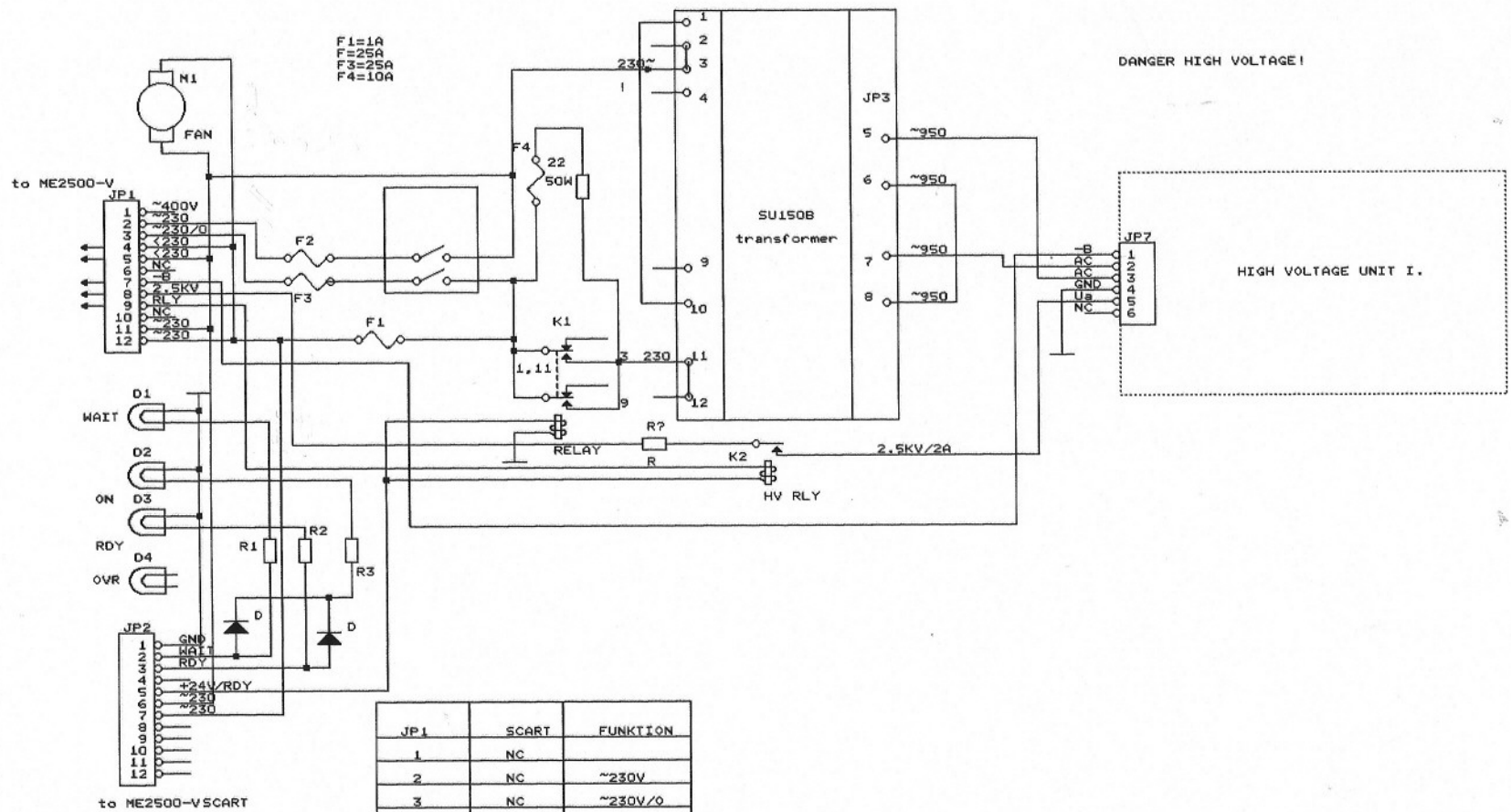


F1=1A  
 F=25A  
 F3=25A  
 F4=10A

DANGER HIGH VOLTAGE!



JP1	SCART	FUNKTION
1	NC	
2	NC	~230V
3	NC	~230V/0
4	7	~230V
5	9	~230V
6		
7		-B
8	NC	2.5KV
9		RLY
10	NC	-
11	NC	~230/FAN
12	NC	~230/FAN